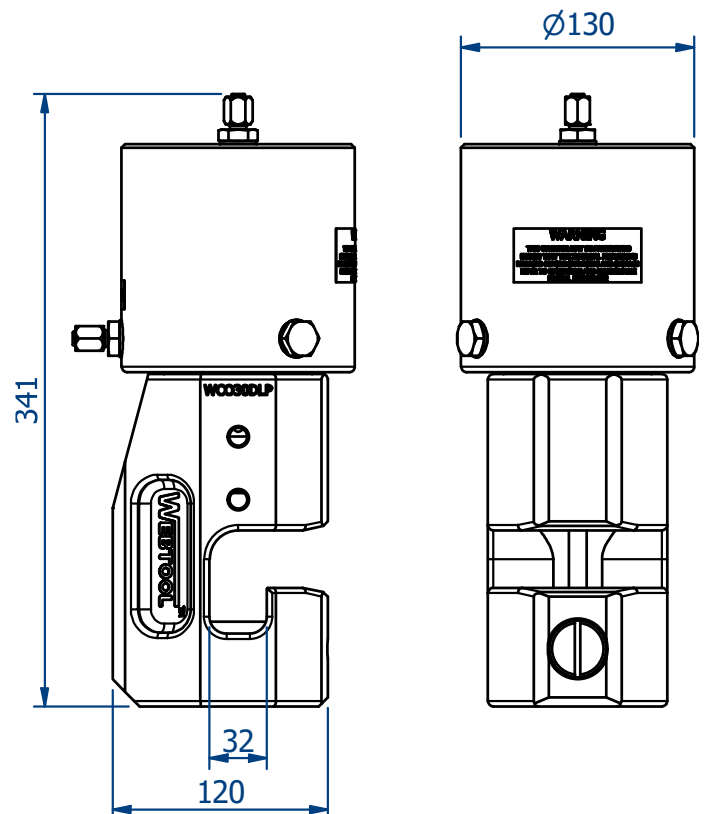


- **Versatile:** Perfect for deep sea operations or deck-mounted planned production cutting
- **Dependable:** Designed to cut the toughest wire rope
- **Easy to use:** Open mouth design simplifies ROV deployment
- **Durable:** Engineered to last in the harshest of environments
- **Reliable:** Proven Webtool technology gives cutting edge performance
- **Powerful:** High output force ensures a successful cut
- **Low maintenance:** Long blade life ensures minimal servicing

Contact our engineering team to arrange cut trials or to discuss bespoke designs.

All products are made in the UK.



[www.allspeeds.co.uk](http://www.allspeeds.co.uk)

Webtool – A division of Allspeeds  
Royal Works, Atlas Street  
Clayton-Le-Moors, Accrington,  
Lancashire. BB5 5LW

UK Tel: +44 (0) 1254 615 100

Email: [info@allspeeds.co.uk](mailto:info@allspeeds.co.uk)

## Technical Specifications

- Maximum Ø30mm cutting capacity
- 210 bar maximum input pressure
- Approx weight in air: 19.8kg
- Approx weight in water: 17.3kg
- Swept volume cut stroke: 0.5 litres
- Swept volume return stroke: 0.4 litres

## Spare Parts and consumables

- Seal Kit (995121)
- Blade (705032C)
- Anvil (761278)

## Additional Extras

### HP690A – Hydraulic Intensifier



Hydraulic panel with minibooster intensifier and additional safety circuits that prevent overpressure when returning to the surface. Available in a range of intensification.

### HTP - Hydrostatic Test Pump



Hydrostatic test pump complete with tank, skid, handle and pressure gauge. Perfect for testing any hydraulic equipment. Available in a range of pressures up to 1000 bar.

### Side Handle – Part No 999023



ISO standard D-handle to suit most ROV's.

### Storage Cases



Sturdy cases can be purchased alongside cutters.