

- **Compact:** Small and lightweight solution allowing it to fit into limited ROV payload space
- **Compatible:** 2 port hotstabs for easy use
- **Safe:** Factory set relief valve as well as an integrated safety circuit which automatically bleeds excess pressure
- **Engineered:** Dual pressure gauges allow for accurate data readings
- **Versatile:** The intensifier can be operated at any depth
- **Powerful:** Industry standard minibooster fitted
- **Reliable:** Proven Webtool manufacturing and engineering

Contact our engineering team to discuss bespoke designs.

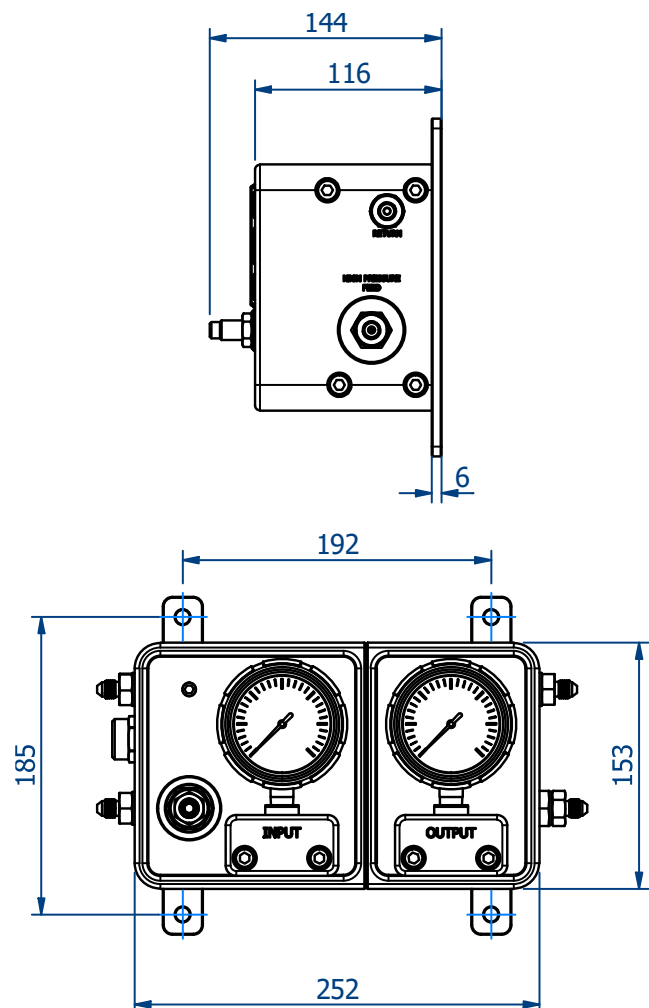
All products are made in the UK.

[www.allspeeds.co.uk](http://www.allspeeds.co.uk)

Webtool – A division of Allspeeds  
Royal Works, Atlas Street  
Clayton-Le-Moors, Accrington,  
Lancashire. BB5 5LW

UK Tel: +44 (0) 1254 615 100

Email: [info@allspeeds.co.uk](mailto:info@allspeeds.co.uk)



## Technical Specifications

- Fittings rated to 690 bar (10,000 psi)
- Max input flow 14 litre/minute
- Max output flow 2 litre/minute
- Max input pressure 172.5 bar (2,500 psi)
- Max output pressure 690 bar (10,000 psi)
- Approx weight in air – 10.7kg
- Approx. weight in water – 7.1kg

## Spare Parts and consumables

- Seal Kit (995163)
- Hose Kit (995083)

## Additional Ratio Options

### HP690A32 – Hydraulic Intensifier

**Part number – 980511**

#### **3:2:1 ratio Intensifier**

- Fittings rated to 690 bar (10,000 psi)
  - Max input flow 15 litre/minute
  - Max output flow 2.5 litre/minute
- Max input pressure 215 bar (3125 psi)
- Max output pressure 690 bar (10,000 psi)
  - Approx weight in air – 10.7kg
  - Approx. weight in water – 7.1kg

### HP690A90 – Hydraulic Intensifier

**Part number – 980513**

#### **9:1 ratio Intensifier**

- Fittings rated to 690 bar (10,000 psi)
  - Max input flow 13 litre/minute
  - Max output flow 0.9 litre/minute
- Max input pressure 76 bar (1,100 psi)
- Max output pressure 690 bar (10,000 psi)
  - Approx weight in air – 10.7kg
  - Approx. weight in water – 7.1kg

All models compatible with ISO32 hydraulic oil and water glycol as standard.

Please contact Allspeeds for compatibility information for alternative fluids.