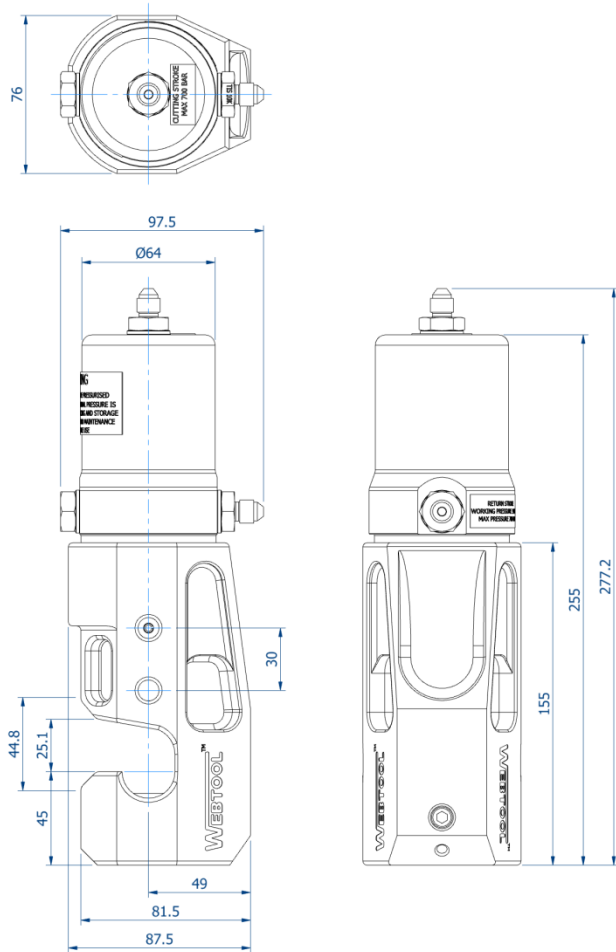


WCO22D Wire Rope Cutter Part No – 980493



- Heavy duty wire rope cutter designed for use in severe working conditions
- Open sided design allows for easy positioning of the cutter on the cable
- Corrosion resistant stainless steel body with TiN coated stainless steel cylinder
- Long blade and anvil life ensures that tool maintenance is kept to a minimum
- Ideal for operation in confined spaces
- Optional hydraulic intensifier panel is available
- Optional handle is available
- 700 bar maximum input pressure
- Cutting Capacity – Steel wire ropes up to Ø22mm (0.866”) with a maximum tensile strength of 1770N/mm
- Also suitable for cutting electrical power or communication cables up to Ø22mm
- Supplied with 10k rated JIC No 4 fittings
- Approx weight in air – 7.15kg
- Approx weight in water – 6.23kg
- Swept volume cut stroke – 0.05 litres
- Swept volume return stroke – 0.04 litres
- Can be used at any water depth

Webtool – A division of Allspeeds
Royal Works, Atlas Street
Clayton-Le-Moors, Accrington, Lancashire. BB5 5LW
UK Tel: +44 (0) 1254 615 100 Fax: +44 (0) 1254 615 199