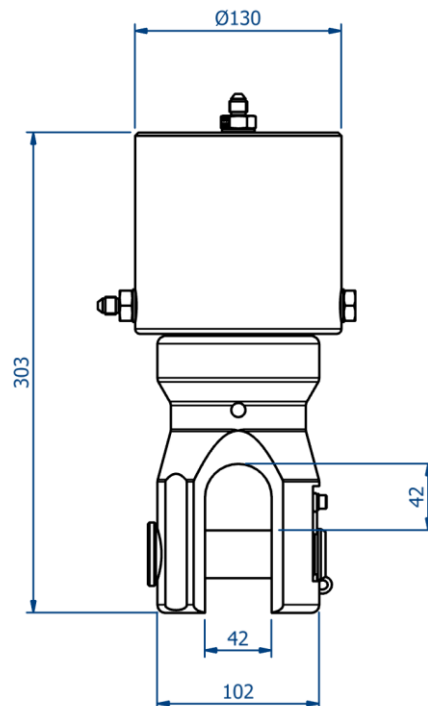
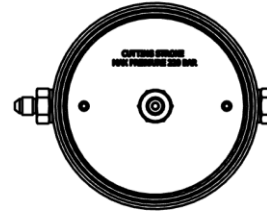


## WCS38DLP - Wire Rope Cutter Part No - 980489



- Heavy duty wire rope cutter designed for use in severe working conditions
- Closed jaw design
- Anvil pin can be removed to allow the tool to be positioned on the cable
- Corrosion resistant stainless steel construction
- Long blade life ensures that tool maintenance is kept to a minimum
- Ideal for operation in confined spaces
- Low pressure cylinder removes the need for an intensifier panel
- Can be used at any water depth
- Cutting capacity – Maximum Ø38mm wire rope of 1770N/mm<sup>2</sup> grade
- Suitable for cutting wire rope, cables and umbilicals
- 220 bar maximum input pressure
- Approx weight in air – 16.5kg
- Approx weight in water – 14kg
- Swept volume cut stroke – 0.5 litres
- Swept volume return stroke – 0.4 litres
- Standard tool is shown above. Bespoke and custom designs to suit special applications are available on request

**Webtool – A division of Allspeeds**  
Royal Works, Atlas Street  
Clayton-Le-Moors, Accrington, Lancashire. BB5 5LW  
UK Tel: +44 (0) 1254 615 100 Fax: +44 (0) 1254 615 199