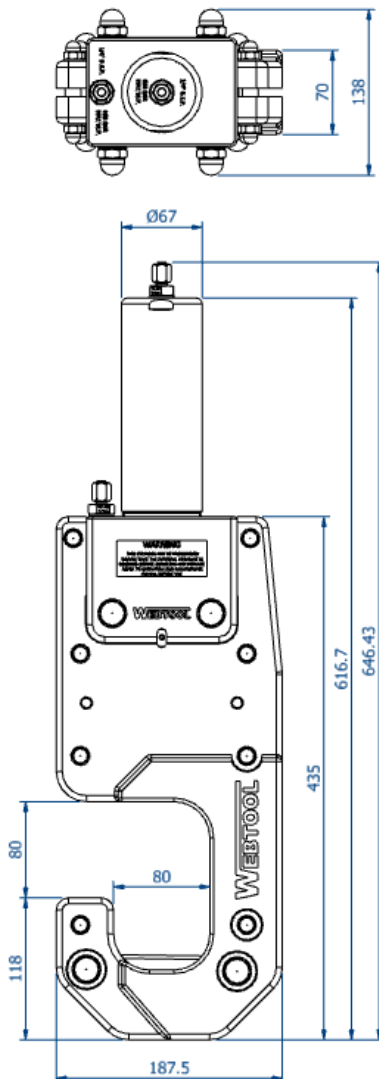


SL80 – Softline Cutter Part No - 980248



- Heavy duty hydraulically operated soft and fibre line cutting tool
- Lightweight aluminium and stainless steel construction
- Diver or ROV operable design
- Quick and efficient operation
- Long blade life ensures that tool maintenance is kept to a minimum
- Can be used at any water depth
- Cutting capacity – Maximum \varnothing 80mm fibre rope
- Maximum operating pressure 690 bar
- Approx weight in air - 15 kg
- Approx weight in water – 10.5 kg
- Swept volume cut stroke – 0.15 litres
- Swept volume return stroke – 0.1 litres
- Standard tool is shown above. Bespoke and custom designs to suit special applications are available on request

Webtool – A division of Allspeeds
Royal Works, Atlas Street
Clayton-Le-Moors, Accrington, Lancashire. BB5 5LW
UK Tel: +44 (0) 1254 615 100 Fax: +44 (0) 1254 615 199