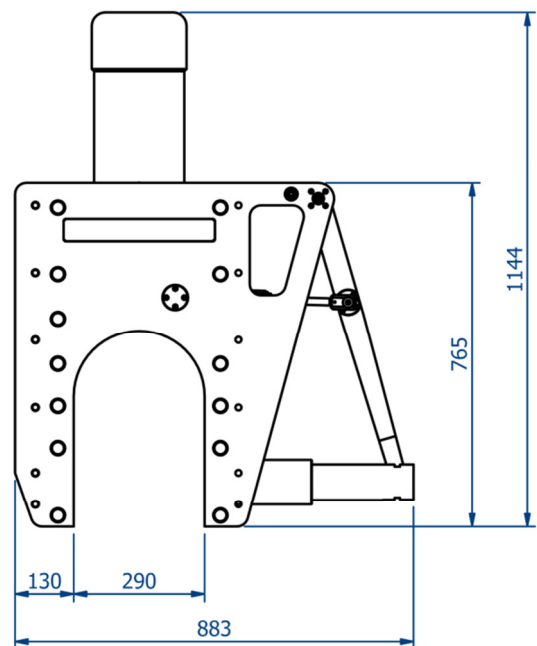
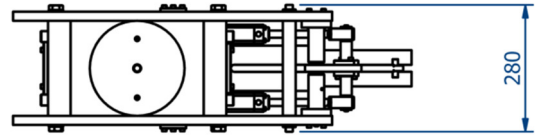


## HCV270 – Cable, Umbilical & Riser Cutter Part No - 980216



- Heavy duty cable, umbilical and riser cutter for use in severe working conditions
- Hydraulically operated anvil for easy ROV deployment
- Robust plated steel construction
- All steel components are electroless nickel plated to resist corrosion
- Long blade life ensures that tool maintenance is kept to a minimum
- Can be used at any water depth
- Optional intensifier panel is available
- Cutting capacity – Maximum  $\text{Ø}270\text{mm}$
- Suitable for cutting cables, hydraulic lines, riser and umbilicals
- 690 bar maximum input pressure for main cylinder
- 210 bar max input pressure for anvil
- Approx weight in air – 375kg
- Approx weight in water – 324kg
- Swept volume cut stroke – 5.3 litres
- Swept volume return stroke – 2 litres
- Standard tool is shown above. Bespoke and custom designs to suit special applications are available on request

**Webtool – A division of Allspeeds**  
Royal Works, Atlas Street  
Clayton-Le-Moors, Accrington, Lancashire. BB5 5LW  
UK Tel: +44 (0) 1254 615 100 Fax: +44 (0) 1254 615 199