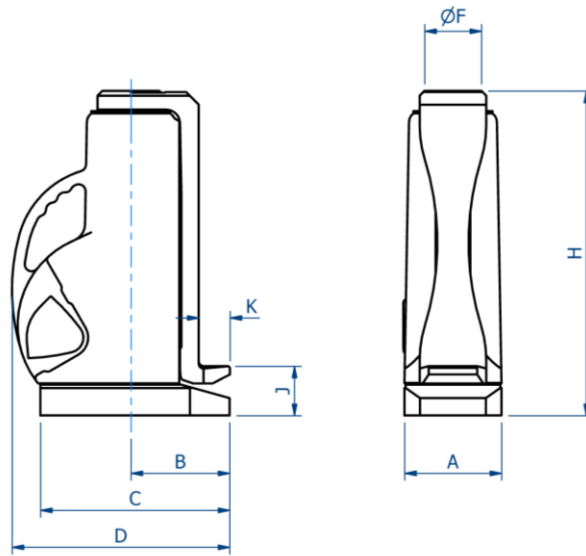


# Hydralite Jacks

## 12" Claw/Toe



Product code	PS1220C		PS1230C		PS1260C	
Ram Capacity	20 Tonnes		30 Tonnes		60 Tonnes	
Claw Capacity	8 Tonnes		12 Tonnes		24 Tonnes	
Lift Per Stroke	1.1 mm	0.042 ins	0.7 mm	0.026 ins	0.3 mm	0.013 ins
Weight of Jack	16.7 kgs	37 lbs	23.4 kgs	52 lbs	43.7 kgs	97 lbs
Weight of Claw	5.5 kgs	12 lbs	7.6 kgs	17 lbs	21.2 kgs	47 lbs
Working Pressure	682 Bars	9,900 PSI	644 Bars	9,350 PSI	644 Bars	9,350 PSI
Effort on Lever (max)	54 kgs	120 lbs	52 kgs	115 lbs	52 kgs	115 lbs
Oil Capacity	1.14 Litres	2 Pints	1.71 Litres	3 Pints	2.84 Litres	5 Pints
Dimensions	mm	ins	mm	ins	mm	ins
A - Width	121	4.75	140	5.5	190	7.5
B - Centre Ram to Claw	125	4.94	143	5.625	181	7.125
C - Base Length	246	9.69	273	10.75	339	13.375
D - Overall Depth	289	11.38	311	12.25	384	15.125
F - Ram Diameter	60	2.38	76	3	108	4.25
H - Closed Height	452	17.88	470	18.5	533	21
J - Base to Claw	67	2.63	73	2.875	73	2.875
K - Claw Depth	41	1.61	45	1.77	48	1.89
Stroke	305	12	305	12	305	12
Service Kit Number	133506		133511		133518	

HYDRALITE OPERATING LEVER

PART NUMBER: 993002

WEIGHT: 2.2KG

