

# Hydraclaw Jacks

**Powerful:** 5 tonne capacity on head or toe

**High Lift:** 178mm

**Fast Operation:** 5.5mm lift per stroke

**Stable:** Substantial base offers stability under load

**Versatile:** Horizontal or vertical operation

**Safe:** Positive stop feature prevents over stroking, pressure relief valve prevents overloading

**Ease of Operation:** Lifting/lowering controlled smoothly by operating lever, acceptable lever effort

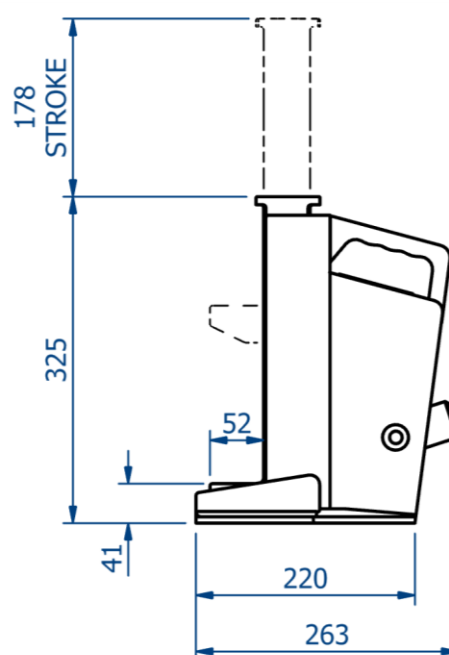
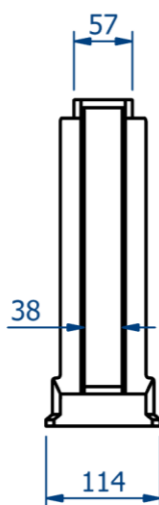
**Low Clearance:** 41mm

**Reliable:** Jack hydraulics are totally enclosed

**Robust Construction:** Built with steel to withstand rough treatment.



<b>Product Code</b>	<b>9501W</b>	
Capacity	5 Tonnes	
Jack Weight (inc oil)	18 kgs	40 lbs
Oil Capacity	0.68 Litres	1.19 Pints
Lift Per Stroke	5.5mm	0.21 ins
Max Handle Effort	45 kgf	99 lbsf
<b>Service Kit Number</b>	<b>995125</b>	



HYDRACLAW OPERATING LEVER

PART NUMBER: 754030

WEIGHT: 3.5KG

