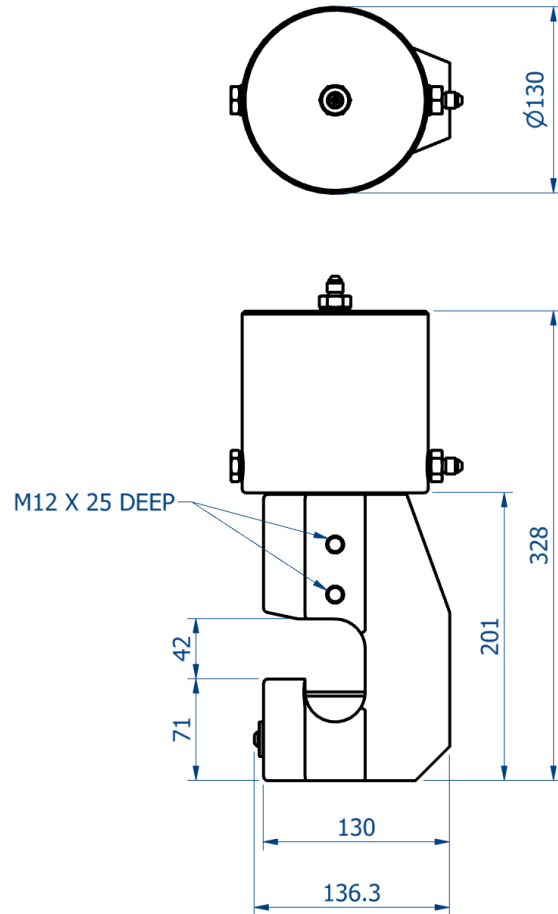


## RCO40LP - Wire Rope Cutter Part No - 980503



- Heavy duty wire rope cutter designed for use in severe working conditions
- Open sided design allows for easy positioning of the cutter on the cable
- Blade shaped anvil cuts higher grade cable
- Corrosion resistant stainless steel body with Nitrotec coated alloy steel cylinder
- Long blade and anvil life ensures that tool maintenance is kept to a minimum
- Ideal for operation in confined spaces
- Can be used at any water depth
- Cutting Capacity - Steel wire ropes up to Ø38mm (1.5") with a maximum tensile strength of 1960N/mm<sup>2</sup>. Individual wire strands must be a minimum of Ø1.5mm (1/16")
- Suitable for cutting wire rope, cables and umbilicals
- 220 bar maximum input pressure
- Supplied with 10k rated JIC No 4 fittings
- Approx weight in air – 22kg
- Approx weight in water – 19kg
- Swept volume cut stroke – 0.5 litres
- Swept volume return stroke – 0.4 litres

**Webtool – A division of Allspeeds**  
Royal Works, Atlas Street  
Clayton-Le-Moors, Accrington, Lancashire. BB5 5LW  
UK Tel: +44 (0) 1254 615 100 Fax: +44 (0) 1254 615 199