

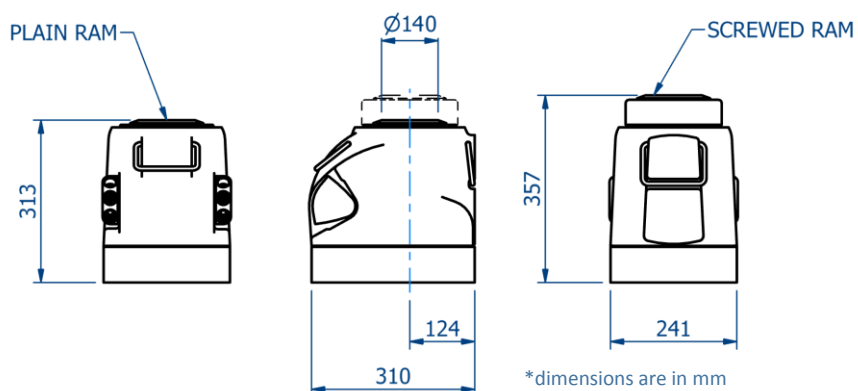
Hydralite Jacks

100 Tonne



The 100 tonne Hydralite is powered by two internal pumps. The low pressure, fast-speed plunger moves the ram out quickly, up to a load of about 8 tonnes on the ram, before transfer to the high pressure plunger becomes necessary. The lift of ram per stroke of lever is 1.1mm on low pressure and 0.1mm on high pressure.

Capacity	100 Tonne			
Product code	P6100		P6100S	
Ram Type	Plain		Screwed	
Weight	49 kgs	108 lbs	53 kgs	117 lbf
Working Pressure	640 Bars	9280 lbf/in2	640 Bars	9280 lbf/in2
Effort on Lever	778 N	175 lbf	778 N	175 lbf
Lift/Stroke High	0.1 mm	0.005 ins	0.1 mm	0.005 ins
Lift/Stroke Low	1.1 mm	0.043 ins	1.1 mm	0.043 ins
Oil Capacity	2.23 Litres	3.92 Pints	2.3 Litres	4.05 Pints
Stroke	152 mm	6 ins	152 mm	6 ins
Service Kit Number	995058			



HYDRALITE OPERATING LEVER

PART NUMBER: 993002

WEIGHT: 2.2KG

