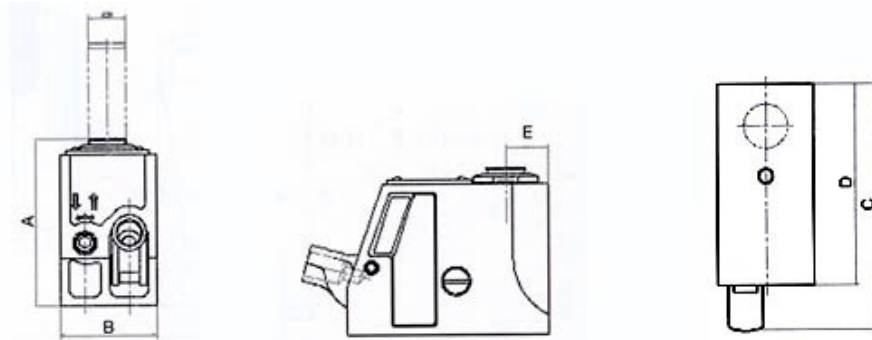


TECHNICAL INFORMATION - HYDRAMITE

- Powerful - 6.5, 10 and 15 tonne capacity
- Versatile – operates in any orientation
- Construction – all parts enclosed, ideal for dusty conditions
- Proven – thousands in use world wide



List Price	£298.00	£407.00	£516.00
Capacity (tonne)	6.5	10	15
Order Code	8104H	1105002	1105003
Dimensions (mm)			
A	140	182	230
B	76	76	92
C	187	207	236
D	158	171	197
E	33.3	40	48
Specifications			
Lever Weight	1.7 kg	1.7 kg	1.7 kg
Jack Weight	3.6 kg	6.3 kg	10.0 kg
Stroke	75 mm	115 mm	152 mm

All prices quoted are excluding VAT